

特点Characteristic

- 1、25A触点切换能力
25A contact switching capability
- 2、适用于切换电机负载
Suitable for switching motor load
- 3、印制板式和快连接式引出脚
Printed plate and quick connection pins
- 4、外形尺寸 (30.2×15.8×23.3) mm
Outline dimensions (30.2×15.8×23.3) mm



触点参数Contact parameters

型号Model	WL102F
触点形式Contact form	1A(SPSTNO)
最大切换电流Maximum switching current	25A
最大切换电压Maximum switching voltage	277VAC/30VDC
最大切换功率Maximum switching power	6925VA/750W
触点负载 (阻性) Contact load (resistive)	25A 277VAC

性能参数Performance parameter

触点材料Contact material	银合金 Ag alloy	
接触电阻Contact resistance	Max 100MΩ	
动作时间Action time	≤15ms	
释放时间Release time	≤5ms	
绝缘电阻Insulation resistance	Min 100MΩ (500VDC)	
介质耐压 Dielectric Strength	断开触点间 Between contacts	AC 1000VAC 50/60Hz 1min
	触点线圈间 Between contact coils	AC 4500VAC 50/60Hz 1min
冲击 To attack	稳定性Stability	98m/s ²
	强度Strength	980m/s ²
振动Vibration	10~55Hz 双振幅1.5mm Double Amplitude	
机械寿命Mechanical endurance min	1×10 ⁷	
电气寿命Electrial eddurance min	1×10 ⁵	
相对湿度Humidity	5%~85%RH	
环境温度Ambient temperature	-40°C~105°C	
浪涌电压Surge voltage	10KV	
重量Weight	约Approx 23g	

订货示例Ordering example

	WL102F	-S	-1	12	M	b	X
继电器型号 Type							
密封型式: F-防尘式, S-塑封式 Construction: F-Flux proofed ,S-Plastic Sealed							
继电器触点组数: 1-1组触点 Number of Poles: 1-1 group							
线圈电压: 5, 12, 24, 48VDC Coil Voltage: 5, 12, 24, 48VDC							
触点形式: M-常开 Contact Arrangement: M-N/O							
引出端形式: P-PCB式, b-代表QC式+PCB式, 无-QC式 Pinout form: P-PCB, b-QC+PCB, Nil-QC							
特规参数: 根据客户要求定制, 无-标准型 Special parameters: customized according to customer requirements, Nil-standard							

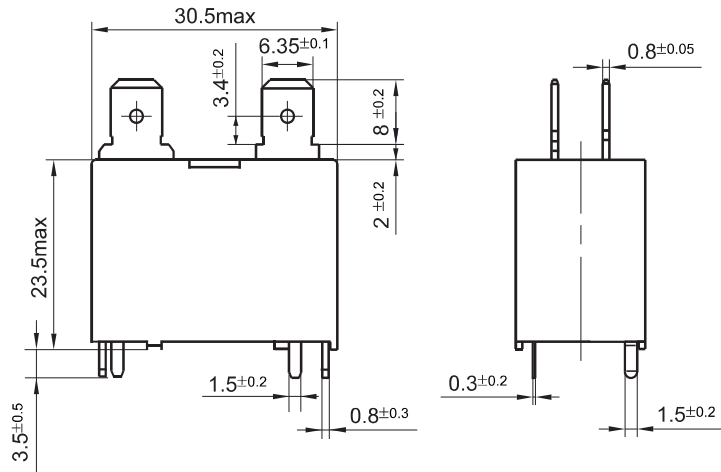
线圈参数Coil parameters (at 20°C)

型号规格 Coil Voltage		线圈电阻 Coil Resistance	动作电压 Pick-up Voltage 额定电压的75% 75% of rated voltage	释放电压 Drop-out Voltage 额定电压的10% 10% of rated voltage	功率 Coil Power
额定 Rated	最大 Max				
VDC		$\Omega \pm 10\%$	VDC	VDC	W
5	6.5	27.8	3.75	0.5	0.9
12	15.6	160	9	1.2	
24	31.2	640	18	2.4	
48	62.4	2560	36	4.8	

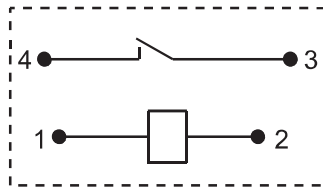
安全认证负载Safety certified load

认证类别 Certification category	CQC	TUV	UL
认证负载 Certified load	25A 277VAC	25A 277VAC	25A 277VAC/30VDC

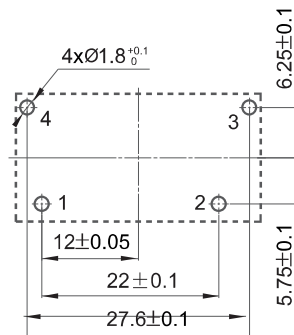
外形及安装图 Outline and installation drawing



Outline Dimensions
外形图



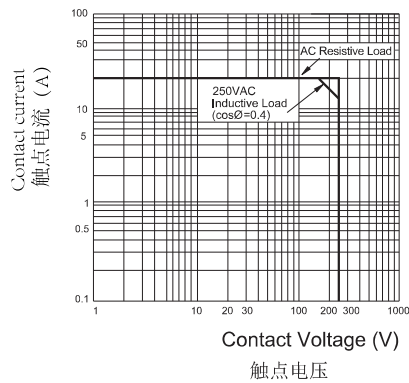
Wiring diagram (bottom view)
接线图 (底视图)



Mounting hole size (bottom view)
安装孔尺寸 (底视图)

性能曲线图 Performance chart

MAXIMUM SWITCHING POWER
最大切换功率



ENDURANCE CURVE
电耐久曲线

