

特点Characteristic

- 1A超小型继电器
1A Amps super miniature relay
- 线圈与触点间介质耐压 1KV
1KV dielectric strength (between coil and contacts)
- 具有一组转换触点形式
1 Form C configurations
- 外形尺寸 (12.3×7.4×10.1) mm
Overall dimensions (12.3×7.4×10.1) mm

**触点参数Contact parameters**

型号Model	WL23F
触点形式 Contact Arrangement	1C(SPDT(B-M))
最大切换电流 Maximum switching current	1A
最大切换电压 Maximum switching voltage	125VAC
最大切换功率 Maximum switching power	125VA/30W
触点负载 (阻性) Contact load (resistive)	1A 125VAC/30VDC

性能参数Performance parameter

触点材料Contact material	银合金 Ag alloy/镀金 Gold-plated	
接触电阻contact resistance	Max 100MΩ	
动作时间Action time	≤5ms	
释放时间Release time	≤5ms	
绝缘电阻Insulation resistance	Min 100MΩ (500VDC)	
介质耐压 Dielectric Strength	断开触点间 Between contacts	AC 500VAC 50/60Hz 1min
	触点线圈间 Between contact coils	AC 1000VAC 50/60Hz 1min
冲击 To attack	稳定性Stability	98m/s ²
	强度Strength	980m/s ²
振动Vibration	10~55Hz 双振幅1.5mm Double Amplitude	
机械寿命Mechanical endurance min	1×10 ⁷	
电气寿命Electrial edurance min	1×10 ⁵	
相对湿度Humidity	5%~98%RH	
环境温度Ambient temperature	-40°C~+85°C	
重量Weight	约Approx.2.2g	

订货示例 Ordering example

	WL23F	-S	-1	12	L	M	X
继电器型号 Type							
密封型式: F-防尘式, S-塑封式 Construction: F-Flux proofed ,S-Plastic Sealed							
继电器触点组数: 1-1组触点 Number of Poles: 1-1 group							
线圈电压: 3, 5, 6, 9, 12, 24VDC Coil Voltage: 3, 5, 6, 9, 12, 24VDC							
线圈功率: L-0.15W, 无-0.2W Coil Power:L-0.15W, 无-0.2W							
触点形式: M-常开, 无-转换 Contact Arrangement: M-N/O ,Nil-C/O							
特规参数: 根据客户要求定制, 无-标准型 Special parameters: customized according to customer requirements, Nil-standard							

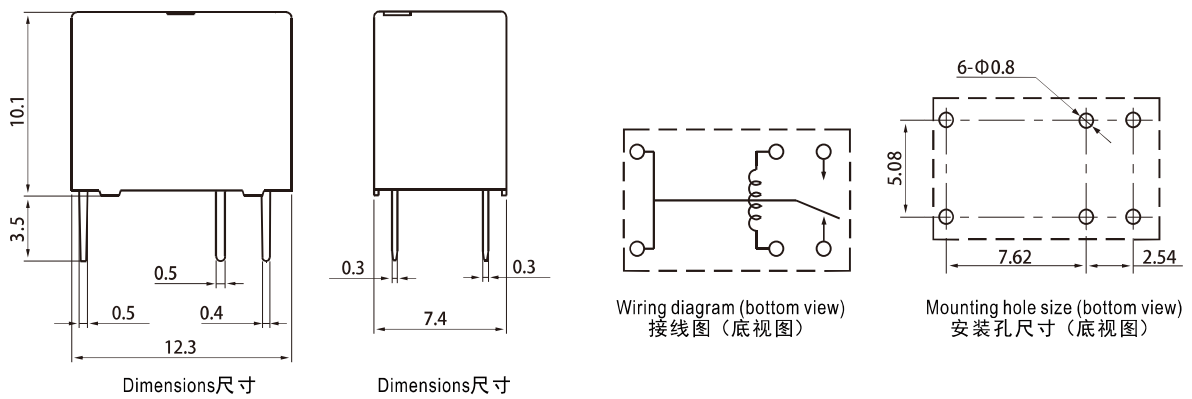
线圈参数 Coil parameters (at 20°C)

型号规格 Coil Voltage		线圈电阻 Coil Resistance	动作电压 Pick-up Voltage 额定电压的75% 75% of rated voltage	释放电压 Drop-out Voltage 额定电压的10% 10% of rated voltage	功率 Coil Power
额定 Rated	最大 Max				
VDC		Ω±10%	VDC	VDC	W
3	3.9	60	2.25	0.3	0.15
5	6.5	166	3.75	0.5	
6	7.8	240	4.5	0.6	
9	11.7	540	6.75	0.9	
12	15.6	960	9	1.2	
24	31.2	3840	18	2.4	
3	3.9	45	2.25	0.3	0.2
5	6.5	125	3.75	0.5	
6	7.8	180	4.5	0.6	
9	11.7	405	6.75	0.9	
12	15.6	720	9	1.2	
24	31.2	2880	18	2.4	

安规认证 Safetu standard

认证类别 Certification category	CQC	TUV	UL
认证负载 Certified load	0.5A 125VAC	0.5A 125VAC	0.5A 125VAC 1A 30VDC

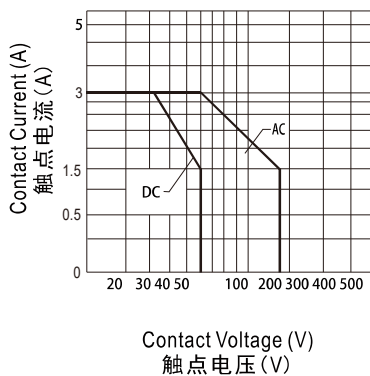
外形及安装图 Outline and installation drawing



Undimensioned tolerance: <1mm: ±0.2mm 1~5mm: ±0.3mm >5mm: ±0.4mm
 未标注尺寸公差: <1mm: ±0.2mm 1~5mm: ±0.3mm >5mm: ±0.4mm
 Note: 1.The size of the lead foot is pre welding dimension. 注: 1、引出脚尺寸为预焊前尺寸
 2.installation hole size tolerance: +0.1mm 2、安装孔尺寸公差: ±0.1mm

性能曲线图 Performance chart

Max.Switching Power
最大切换功率 (W)



Life Curve
寿命曲线

