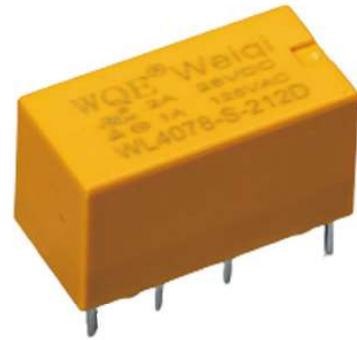


### 特点Characteristic

- 1、体积小，重量轻  
Small size and light weight
- 2、2A 超小型继电器  
2A Amps super miniature relay
- 3、具有两组转换触点形式  
2 Form C configurations
- 4、外形尺寸 (20.0×10.0×11.6) mm  
Overall dimensions (20.0×10.0×11.6) mm



### 触点参数Contact parameters

型号Model	WL4078
触点形式Contact Arrangement	2C (DPDT(B-M))
最大切换电流Maximum switching current	2A
最大切换电压Maximum switching voltage	240VAC/125VAC
最大切换功率Maximum switching power	30W/125VA
触点负载 (阻性) Contact load (resistive)	1A 125VAC/30VDC

### 性能参数Performance parameter

触点材料Contact material	银合金 Ag alloy/镀金 Gold-plated	
接触电阻Contact resistance	≤50MΩ	
动作时间Action time	≤6ms	
释放时间Release time	≤4ms	
绝缘电阻Insulation resistance	Min100MΩ ( 500VDC)	
介质耐压 Dielectric Strength	触点间 Between contacts	AC 750VAC 50/60Hz 1min
	触点线圈间 Between contact coils	AC 1500VAC 50/60Hz 1min
冲击 To attack	稳定性Stability	169m/s <sup>2</sup>
	强度Strength	980m/s <sup>2</sup>
振动Vibration	10~70Hz 双振幅1.5mm Double Amplitude	
机械寿命Mechanical endurance min	1×10 <sup>8</sup>	
电气寿命Electrial eddurance min	1×10 <sup>5</sup>	
相对湿度Humidity	5%~85%	
环境温度Ambient temperature	-40°C~85°C	
重量Weight	约Approx 5g	

**订货示例 Ordering example**

	WL4078	-S	-2	12	D	X
继电器型号 Type						
密封型式: F-防尘式, S-塑封式 Construction: F-Flux proofed ,S-Plastic Sealed						
继电器触点组数: 1-1组触点, 2-2组触点 Number of Poles:1-1 group, 2-2 group						
线圈电压: 3, 5, 6, 9, 12, 24VDC Coil Voltage: 3, 5, 6, 9, 12, 24VDC						
线圈功率: L-0.15W, D-0.2W Coil Power: L-0.15W, D-0.2W						
触点形式: M-常开, 无-转换, B-常闭 Contact Arrangement: M-N/O , Nil-C/O, B-N/C						
特规参数: 根据客户要求定制 Special parameters: customized according to customer requirements						

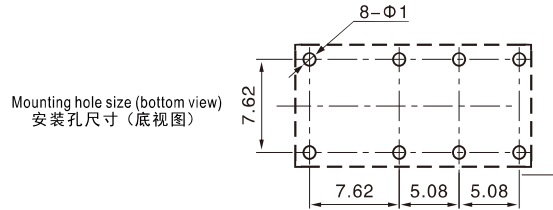
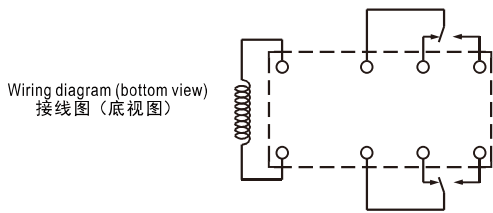
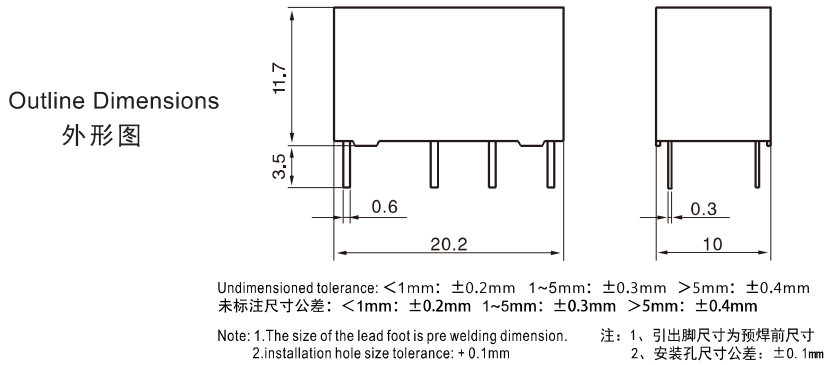
**线圈参数 Coil parameters (at 20°C)**

型号规格 Coil Voltage		线圈电阻 Coil Resistance	动作电压 Pick-up Voltage 额定电压的80% 75% of rated voltage	释放电压 Drop-out Voltage 额定电压的10% 10% of rated voltage	功率 Coil Power
额定 Rated	最大 Max				
VDC		$\Omega \pm 10\%$	VDC	VDC	W
3	4.5	60	2.25	0.3	0.15
5	7.5	167	3.75	0.5	
6	9	240	4.5	0.6	
9	13.5	540	6.75	0.9	
12	18	960	9	1.2	
24	36	3840	18	2.4	
3	4.5	45	2.25	0.3	0.2
5	7.5	125	3.75	0.5	
6	9	180	4.5	0.6	
9	13.5	405	6.75	0.9	
12	18	720	9	1.2	
24	36	2880	18	2.4	

安全认证负载 Safety certified load

认证类别 Certification category	CQC	TUV	UL
认证负载 Certified load	1A 125VAC	1A 125VAC	1A 125VAC/30VDC

外形及安装图 Outline and installation drawing



性能曲线图 Performance chart

