

MAIN FEATURE

1. Switching capacity 15A in small size for exclusive automobile control relay switching box use.
2. Standard and European Specification available to comply with various requirements.
3. Various selections on types of sealing.
4. Ambient temperature range covers from -40°C to +85°C.
5. Comply with RoHS, REACH and ELV regulations.

CONTACT RATING

Load Type	ARW (DM)	ARW (D)
Rated Load (Resistive)	5A 120VAC	5A 120VAC
	15A 12VDC	15A 12VDC
Rated Carrying Current	15A	15A
Max. Allowable Voltage	AC 120V	AC 120V
	DC 28V	DC 28V
Max. Allowable Current	15A	15A
Max. Allowable Power Force	600VA	600VA
	180W	180W
Contact Material	Ag Alloy	Ag Alloy
Contact Form	SPST	SPDT

APPLICATION

Lighting Control, Door Lock Control, Power Window Control, Power Door Control, Sunroof Control

PERFORMANCE (AT INITIAL VALUE)

- Contact Resistance 100 mΩ Max. @1A, 6VDC
- Operate Time 10 mSec. Max.
- Release Time 10 mSec. Max.
- Dielectric Strength:
 - Between Coil & Contact 1,000VAC at 50/60 Hz for one minute
 - Between Contacts 500VAC at 50/60 Hz for one minute
- Surge Strength 2,000V (between coil & contact 1.2x50μSec.)
- Insulation Resistance 100 MegaΩ Min. at 500VDC
- Max. On/Off Switching:
 - Electrical 6 Cycles per Minute
 - Mechanical 300 Cycles per Minute

- Temperature Range -40~+85°C
- Humidity Range 45~85% RH.
- Coil Temperature Rise 60°C Max.
- Vibration:
 - Destruction 10 to 55 to 10 Hz, 0.75 mm single amplitude (1.5mm double amplitude)
 - Malfunction 10 to 55 to 10 Hz, 0.75 mm single amplitude (1.5mm double amplitude)
- Shock:
 - Destruction 1,000 m/S²
 - Malfunction 100 m/S²
- Life Expectancy:
 - Mechanical 10⁷ Operations at No Load condition
 - Electrical 10⁵ Operations at Rated Resistive Load
- Weight About 10g

SAFETY STANDARD & FILE NUMBER

- UL & C-UL E141060

COIL SPECIFICATION (AT 20°C)

Coil Sensitivity	Nominal Voltage (VDC)	Nominal Current (mA)	Coil Resistance ($\Omega \pm 10\%$)	Power Consumption (W)	Pull-In Voltage (VDC)	Drop-Out Voltage (VDC)	Maximum Allowable Voltage (VDC)
ARW (Standard)	6	150	40	Abt. 0.93	80% Maximum	5% Minimum	150% (for short time carrying current)
	9	93	97				
	12	77	155				
	15	59	255				
	18	47	380				
ARW (European)	6	214	28	Abt. 1.1	60% Maximum	5% Minimum	160% (for short time carrying current)
	12	92	130				
	24	46	520				

ORDERING INFORMATION

ARW - SS - 1 12 D M 1

Specification: Nil: Standard
1: European

Contact Form: Nil: One Form C
M: One Form A

Coil Type: D: Standard DC

Coil Voltage: 06: 6V, 09: 9V, 12: 12V, 15: 15V, 18: 18V, 24: 24V

Number of Pole: 1: One Pole

Type of Sealing: Nil: RT 0 Unclosed
SS: RT II Flux Proofed
SH: RT III Wash Tight

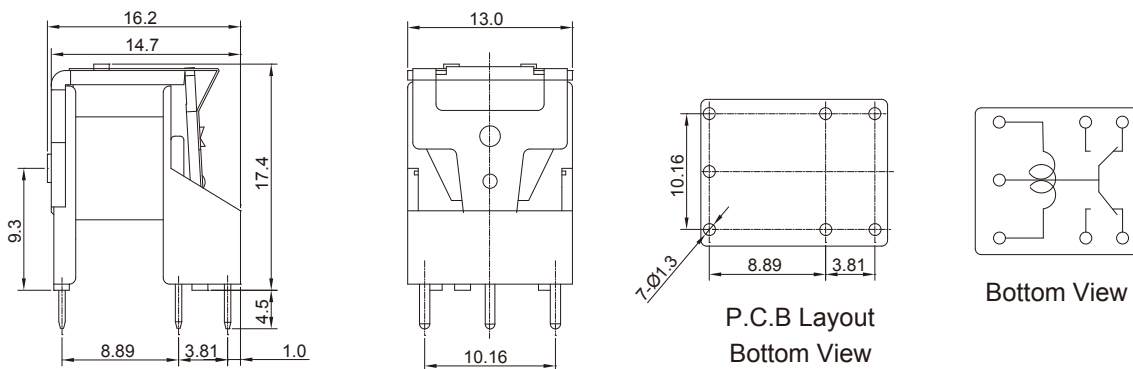
Type: ARW

CLASSIFICATION

Model	ARW			
	Standard		European	
Coil Sensitivity				
Contact Form	1C	1A	1C	1A
Unclosed	ARW-1□□D	ARW-1□□DM	ARW-1□□D1	ARW-1□□DM1
Flux Proofed	ARW-SS-1□□D	ARW-SS-1□□DM	ARW-SS-1□□D1	ARW-SS-1□□DM1
Wash Tight	ARW-SH-1□□D	ARW-SH-1□□DM	ARW-SH-1□□D1	ARW-SH-1□□DM1

DIMENSION ($\leq 5\text{mm} \pm 0.2\text{mm}$, $> 5\text{mm} \pm 0.3\text{mm}$, the tolerance of PCB thru hole: $+0.1\text{mm}$)

ARW



ARW-SS/SH

